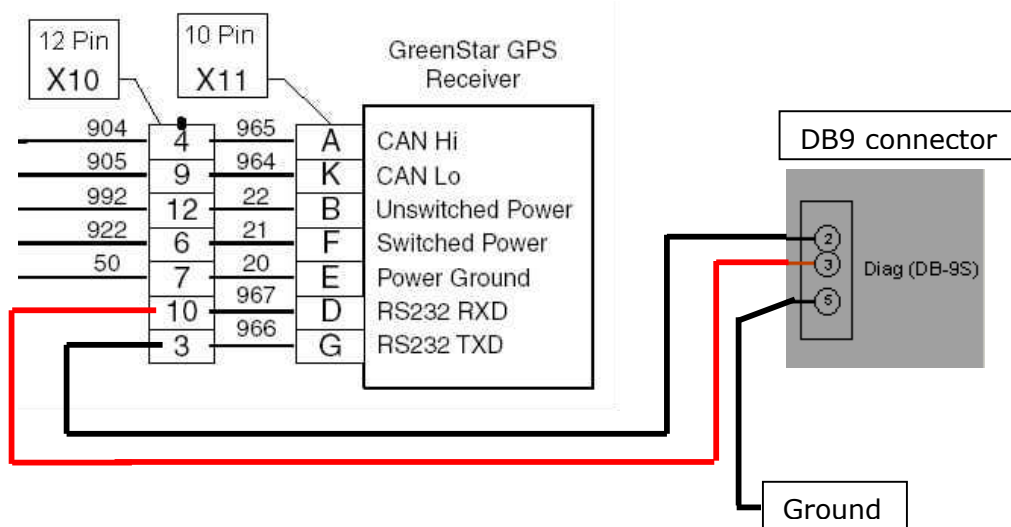


**When using the StarFire Receiver with AMS Products (AutoTrac, Parallel Tracking, Field Doc, etc) in conjunction with computer (laptop, PDA, etc) use the following diagram for the proper wiring to the computer.**



**NOTE:** The DB9 connector can be purchased at your local computer store. This connector plugs into the back of your laptop. Some programs may require a different DB9 configuration. Please check computer software to verify configuration of DB9 connector.

**NOTE:** You will notice that there are no wires on the left side of Connector X10. These are populated with blank fillers. It is recommended that you utilized the proper type of pin for this connector and connect your two wires into those pins.

### **Configuring the RS232 to work with the Non John Deere Controller**

The StarFire receiver provides GPS information to GreenStar components through the CAN bus. The StarFire receiver can also send GPS information to other controllers (non-Deere) through RS232. The NMEA strings that are capable of being included in an RS232 signal from the StarFire include GGA, GSA, RMC, ZDA, & VTG strings.

The NMEA strings that the controller requires need to be determined from that manufacturer. If, for instance, the controller requires only two NMEA strings, the other strings may need to be turned off. Sometimes, if too much information is sent to a controller, it can get overloaded, and cause performance issues.

There are two ways you can change the NMEA strings and baud rates for RS232 on a StarFire receiver.

1. Hook the StarFire and a GreenStar Display up to a GreenStar Harness. Go To Setup – StarFire – Page 2, the information on this page is the RS232 information. You can change the following RS232 output settings on this page.

- Serial Port Baud Rate            4800, 9600, 19200, 38400
- Serial Port Output Rate        1, 5
- Serial Port Message GGA    on/off
- Serial Port Message GSA    on/off
- Serial Port Message RMC    on/off
- Serial Port Message VTG    on/off
- Serial Port Message ZDA    on/off

2. **NOTE:** StarFire Configurator is **NOT Compatible** with TCM.

Hook the StarFire up to a computer with Laptop Harness, Part number PF80388 (MIB 00-10-11), and utilize a program called “StarFire Desktop Configurator” (sometimes called “StarFire Config”) which is available from [www.stellarsupport.com](http://www.stellarsupport.com). When this program is communicating with the StarFire, the NMEA strings, Baud rate, and Hertz (navigation rate) can be changed.

**NOTE:** Turning NMEA strings off or changing the Baud rate only affects the information from the StarFire on RS232. The StarFire data on CAN is not affected.